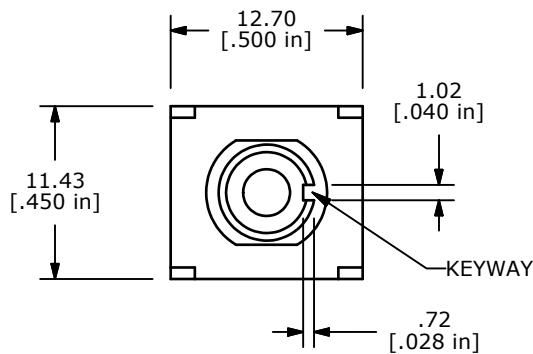
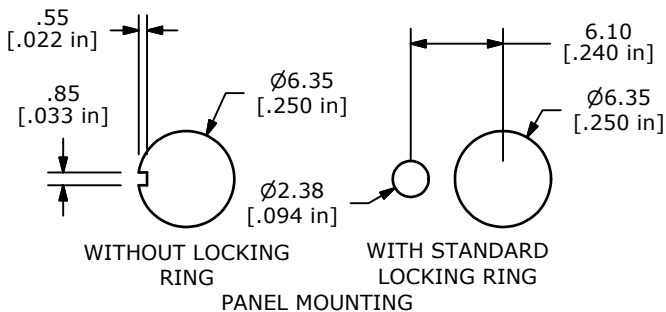
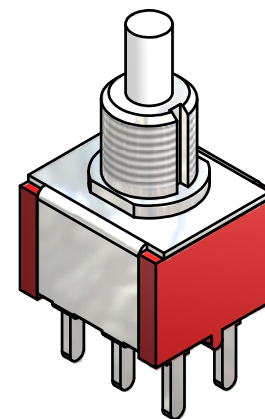
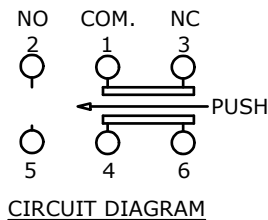
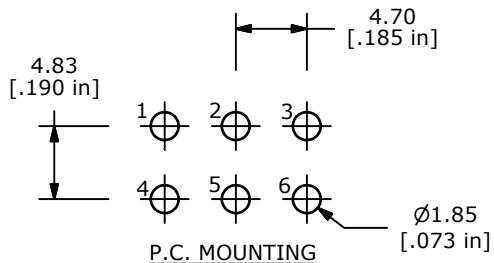
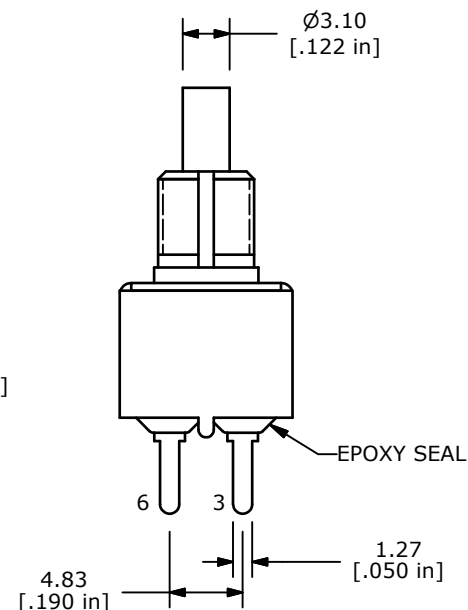
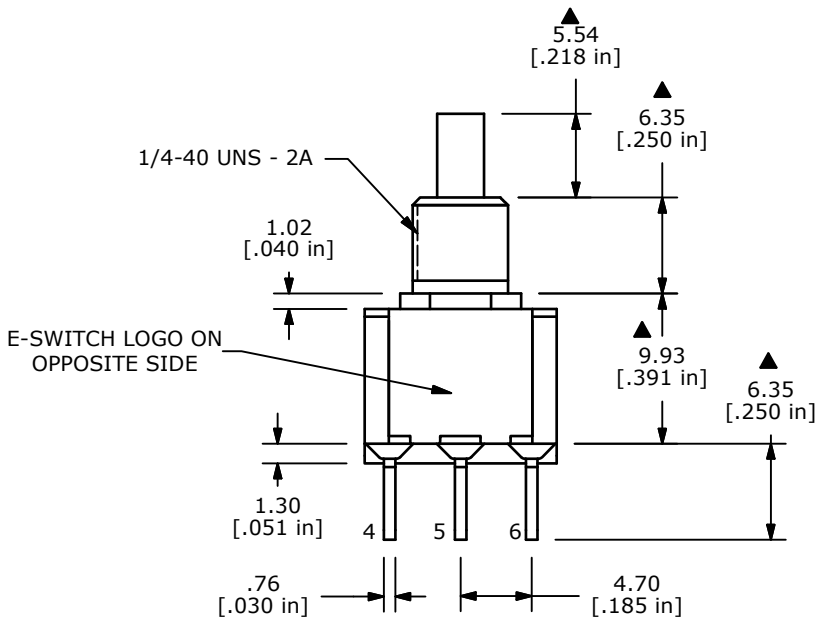


SWITCH FUNCTION	
POS. 1	POS. 2
ON	(ON)
1-3, 4-6	1-2, 4-5

() = MOMENTARY



- NOTES:
1. ALL DIMENSIONS IN MM [INCH]
 2. GENERAL TOLERANCE: X.X=± 0.4
X.XX=± 0.25
 3. TERMINAL NUMBERS FOR REFERENCE ONLY
 - ▲ 4. CONTACT MATERIAL: SILVER
 5. RATING: 3A @ 120 VAC OR 28 VDC
1A @ 250 VAC
 6. ELECTRIC LIFE: 50,000 MAKE-AND-BREAK CYCLES
AT FULL LOAD
 7. INSULATION RESISTANCE: 1,000 MEGA-OHM MIN.
 8. ACUATION FORCE: 300 ± 100gf
 - ▲ 9. TRAVEL: 1.0 ± 0.2mm
 10. CONTACT RESISTANCE: 20 mOHM MAX.
TYPICAL @ 2-4 VDC
 11. DIELECTRIC STRENGTH: 1,000 V RMS @ SEA LEVEL.
 12. OPERATING TEMP.: -30°C to 85°C
 13. ▲ DENOTES CRITICAL PARAMETER.
 14. 2002/95/EC (ROHS) COMPLIANT.
 15. HARDWARE TO BE SHIPPED BULK
T100000 - HEXNUT - QTY 2
T100011 - LOCKWASHER - QTY 1
T100015 - LOCKRING - QTY 1



REV	PCR NO	DESCRIPTION	DATE	BY
C	20036	DRAWING CLEAN-UP / UPDATE	6/28/11	BGL
B	17235	FIXED DRAWING	4/27/07	TN
A	16423	RELEASED FOR PRODUCTION	9/11/06	BO



TITLE 700DP7B10M2QEH				
SCALE 2:1	DATE 4/27/2007	DR TN	DWG ST721005	REV C

THE INFORMATION CONTAINED IN THIS DOCUMENT IS PROPRIETARY TO E-SWITCH AND IS NOT TO BE COPIED OR TRANSFERRED